

DK series glass rotameters

Summary

DK series glass rotameters are made by advanced technology. The flowmeter is featured with light structure, nice looking, easy installation and convenient maintenance. The taper pipe and floater can be replaced conveniently. The flow ruler is distinct and can be adjusted sensitively, it's suitable for micro flow measurement in all industries.

The profile and installing dimensions

Model □	Size D(mm)
LZB-4DK	Ø9
LZB-4DKF	
LZB-6DK	Ø11.5
LZB-6DKF	
LZB-10DK	Ø11.5
LZB-10DKF	

Note: The rigid pipe or sleeve size can be made as required.

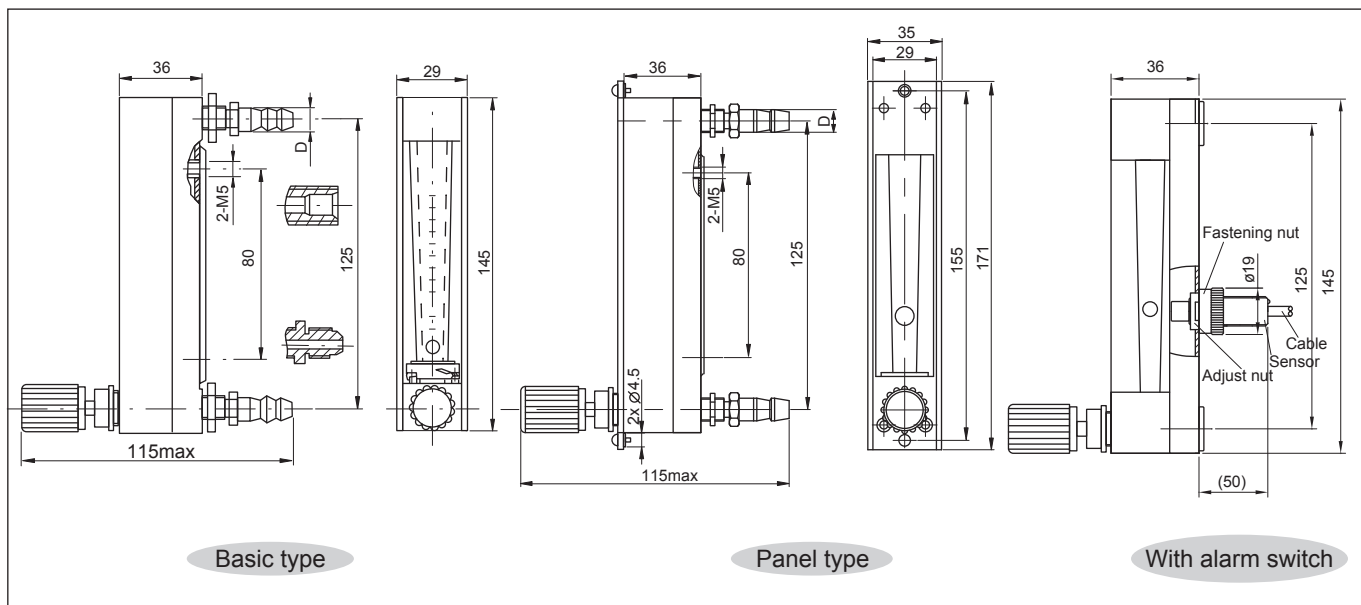


Fig.1

Note: If panel type is required, please give a clear indication in the contract, or only provided with the basic type.

Types and technical parameters

Model	Measuring range		Accuracy class	State of the fluid allowed	
	Water(20℃)	Air 20℃, 101325Pa		Temperature (℃)	Pressure (MPa)
LZB-4DK LZB-4DKF	□(0.4 ~ 4)ml/min□ □(0.6 ~ 6)ml/min□ □(1 ~ 10)ml/min□ □(1.6 ~ 16)ml/min□ □(2.5 ~ 25)ml/min□ □(4 ~ 40)ml/min□	(6 ~ 60)ml/min (10 ~ 100)ml/min (16 ~ 160)ml/min (25 ~ 250)ml/min (40 ~ 400)ml/min (60 ~ 600)ml/min	4	<120	<1.0
	□(6 ~ 60)ml/min□ □(10 ~ 100)ml/min□ □(16 ~ 160)ml/min□ □(25 ~ 250)ml/min□ □(40 ~ 400)ml/min□	(100 ~ 1000)ml/min (160 ~ 1600)ml/min (0.3 ~ 3)L/min (0.6 ~ 6)L/min (0.7 ~ 7)L/min			
LZB-6DK LZB-6DKF	□(0.04 ~ 0.4)L/min□ □(0.06 ~ 0.6)L/min□ □(0.1 ~ 1)L/min□	(0.7 ~ 7)L/min (1 ~ 10)L/min (1.5 ~ 15)L/min	2.5	<120	<1.0
	□(0.1 ~ 1)L/min□ □(0.16 ~ 1.6)L/min□	(3 ~ 30)L/min (5 ~ 45)L/min			

Note: Special flow measurement range should be indicated separately.

Model	Materials of spare parts				
	□ Floater	Base	Stop	Seal ring and shim	Needle valve
LZB-()DK	Agate or 1Cr18Ni9Ti	HPb59-1 Brass	Nylon	Nitrile butadiene rubber	1Cr18Ni9Ti Stainless steel
LZB-()DKF	Stainless steel	1Cr18Ni9Ti Stainless steel	Fluoroplastics	Fluorine rubber or solvent resistant rubber	

Note: 316 or 316L material can be ordered as required.

Glass rotameters of medical hyperbaric oxygen chamber

Glass rotameters of medical hyperbaric oxygen chamber is an oxygen flow adjusting and monitoring meter used in medical facility- hyperbaric oxygen chamber. It's used to measure directly the flow of non pulse oxygen. Featuring with nice looking, convenient installation, direct indication, reliability and other characteristics, it can be used in medical hyperbaric oxygen chamber of any model and size.

Model	The fluid measured	Flow range (20℃ 0.3MPa)	State of the fluid allowed		Accuracy class
			Maximum temperature	Maximum pressure	
LZB-6DK	O ₂	(100 ~ 1000)L/h	120℃	1.0MPa	2.5
LZJ-10		(100 ~ 1000)L/h (20℃ 0.4MPa)			